

The ED80 is a manually operated device with a simple over-centre spring mechanism which provides a snap action for both opening and closing the main contacts. As with all our ED Disconnecting switches, the ED80 has been designed to provide rapid means of disconnecting batteries or other power supplies in the event of serious electrical faults. The ED80 is suited for uninterrupted current loads.

- Uninterrupted current - no or infrequent load switching requirements (maintains a lower contact resistance).

The ED80 is primarily intended for use with battery powered vehicles but is also suitable for use with static power systems. It is capable of safely rupturing full load battery currents in the event of an emergency. The ED80 is easy to install (see drilling details) and is secured with supplied M5 posidrive mounting screws.

Precautions:

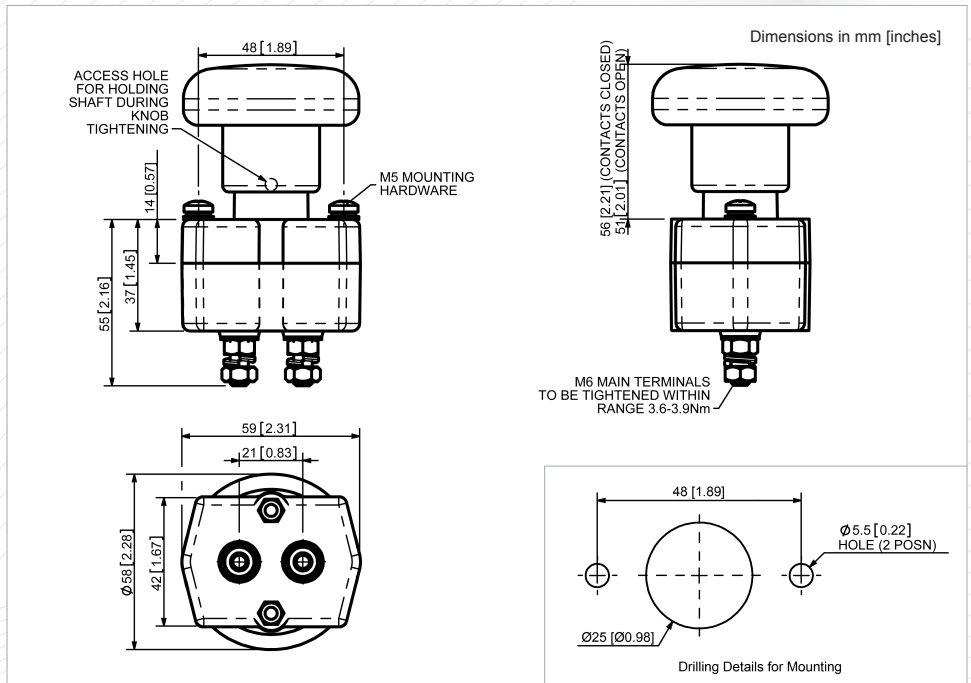
The switch is to be used to rupture current in an emergency or as a no-load isolator.

Do not use as a regular On-Load Switching Device.



ED80

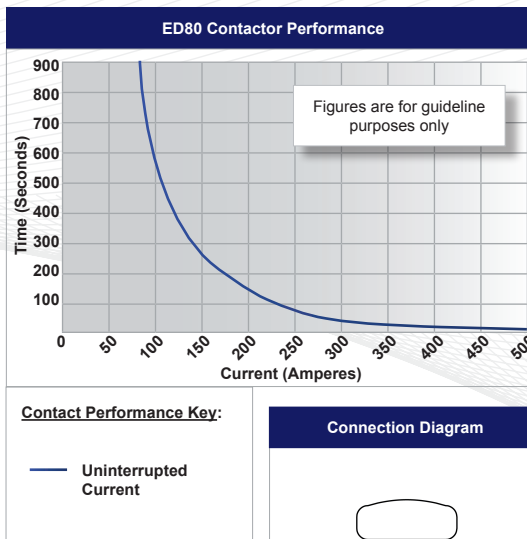
Application	Uninterrupted
Thermal Current Rating (I _{th})	80A
Intermittent Current Rating:	
30% Duty	145A
40% Duty	125A
50% Duty	115A
60% Duty	105A
70% Duty	95A
Overload Currents that can be Ruptured:	
ED80	500A at 48V D.C.
Maximum Recommended Contact Voltages (U _c):	
ED80	48V D.C.
Typical Voltage Drop per pole across New Contacts at 80A	40mV
Mechanical Durability	>10 x 10 ³ Cycles
Operating Ambient Temperature	- 40 °C to + 60 °C
Guideline Contactor Weight:	
ED80	223 gms
Advised Connection Sizes for Maximum Continuous Current	
Cables to be rated suitable for Application	
Key: ▲ = Uninterrupted	
Note: Where applicable values shown are at 20 °C	



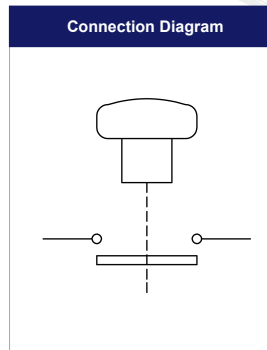
The Use of Battery Disconnecting Switches in Electric Vehicles

Modern battery powered electric vehicles are inherently very reliable and safe. However, even when sophisticated electronic controllers are used it is desirable to have a means of disconnecting the battery in the event of an emergency, such as a vehicle failing to stop or an electrical short circuit.

In many countries it is mandatory to fit one or more devices to achieve an emergency disconnection of the battery.



ED80 Available Options	
General	
Auxiliary Contacts	X
Auxiliary Contacts - V3	X
Magnetic Blowouts†	X
Magnetic Blowouts - High Powered†	X
Mounting Brackets	X
Closed Contact Housing	•
Environmentally Protected IP55	X
EE Type (Steel Shroud)	X
Lockable	X
Contacts	
Large Tips	X
Textured Tips	X
Silver Plating	o
Key: Optional o Standard • Not Available X	
† Connections become polarity sensitive	
‡ A rubber gasket 'O' ring and special guide can be fitted to increase the sealing of the switch when mounted to the panel (uppermost section only)	



- Performance data provided should be used as a guide only. Some de-rating or variation from figures may be necessary according to application
- Thermal current ratings stated are dependant upon the size of conductor being used
- For further technical advice email: technical@albrightinternational.com
- Albright reserve the right to change data without prior notice